

DESCRIPTION

The module GTR 17 is a low cost Generator controller equipped with Auto Start/Stop functions, protections, alarm and annunciation etc... Monitoring and protections include: Running, Over Speed, High Water Temperature, Low Oil Pressure, Over Crank, Emergency Stop, and Low Battery.

All outputs function executed by a set of traditional relays which make it possible to support heavy power handling capability. It designed to control engine by only three buttons Start—Stop—ATS. The engine will be started while user push “Start” button and holding at last 1 seconds ; Push the “Stop” button make the running engine stop and reset the alarm if triggered ; Push the “ATS” button can turn on the ATS light and enable Auto start function.

Panel

◆ LED

- Emergency/ Auxiliary Shutdown
- Low Battery Warning
- Over Speed Shutdown
- High Water Temperature Shutdown
- Low Oil Pressure Shutdown
- Over Crank
- Run
- Power

◆ Button

- OFF: Stop running engine / Reset Alarm.
- ATS: Auto Start function by detected ATS terminal I2.
- MAN: Manual start engine

Dip switch settings function

1. Pin1 & pin2: Timer setting to stop generator

Pin1	Pin2	Timer setting to stop Gen
OFF	OFF	5 sec
ON	OFF	10sec
OFF	ON	15sec
ON	ON	20sec

2. Pin3: System frequency ON : 50 Hz
OFF: 60 Hz
3. Pin4: Escape motor by oil pressure switch
ON : Enable
OFF: Disable
4. Pin5: Pressure switch type ON : Normal Close
OFF: Normal Open
5. Pin6: Idle / Pre-heat output delay time
Idle delay time ON : 120 sec.
OFF: 10 sec.
Pre-heat delay time ON : 10 sec.
OFF: 1 sec.
6. Pin7: Low DC Volt ON : 10.5 Volt.
OFF: 21 Volt.



7. Pin8 & pin9 : Cooling time

Pin8	Pin9	Cooling time
OFF	OFF	0 sec
ON	OFF	60 sec
OFF	ON	150 sec
ON	ON	300 sec

8. Pin 10: Idle / Pre-heat Function Select

ON :Idle
OFF:Pre-heat

Protections and parameters

- ◆ Auxiliary shutdown protection: 1 sec., N.C
- ◆ Low battery warning: 5sec., 10.5 / 21 VDC
- ◆ Over speed protection: 2sec., 55/66 Hz
- ◆ High water temp. protection: 2 sec., N.O
- ◆ Low oil press. Protection: 2 sec., N.C/N.O
- ◆ Over crank: 3 attempts
- ◆ Cranking speed up limited: 0.5sec., 16 Hz
- ◆ Protection hold-off timer: 5 sec.

Specifications

DC Supply:

DC 8~36 V

Power consumption:

Max: 5 W

Measuring Frequency:

0~80 Hz (min AC. Volt: 25 V. max AC Volt: 300 V)

Relay Output:

Start output : 5A

Valve output : 5A

Idle / Pre-heat output : 5A

Alarm output : 5A

Stop output : 5A

Dimension (W*H*D):

72 mm x 72 mm x 58 mm

Panel cut-out (W*H):

68 mm x 68 mm

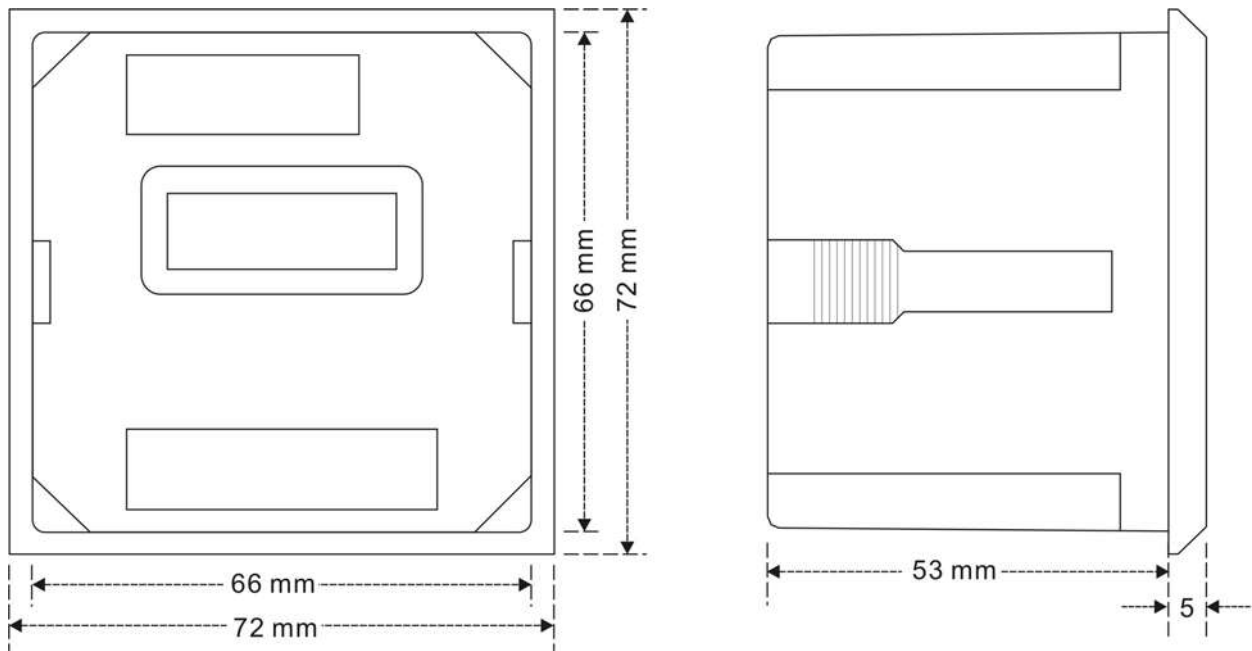
Ambient Temperature Range:

-30 °C ~ 70 °C

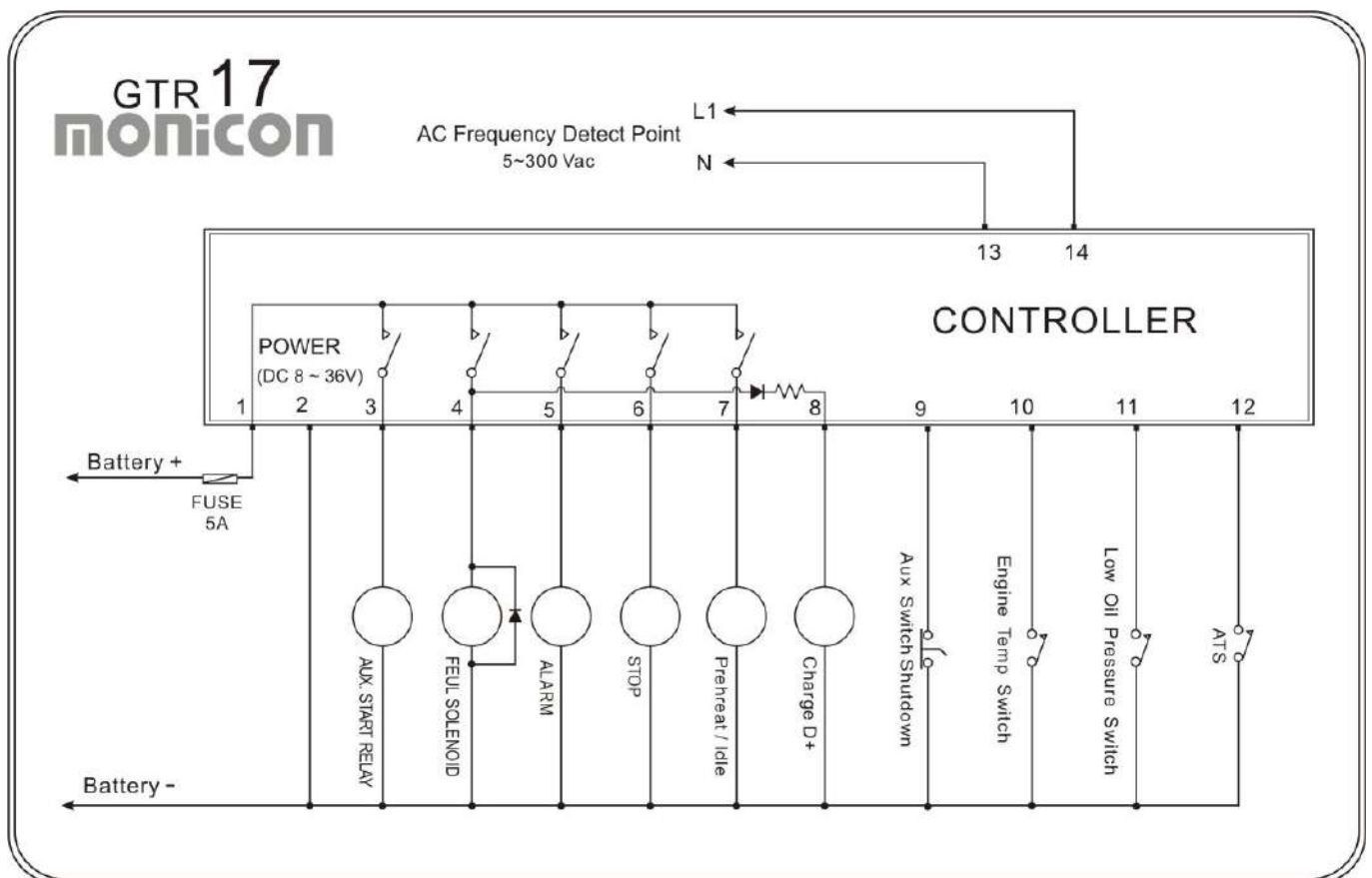
Weight:

160g (0.35 lb)

Dimension



TYPICAL CONNECTIONS



Monicon Instruments Co., Ltd.

19F-1, No.631, Sec. 1, Chongde Rd., North District, Taichung City 404, Taiwan (R.O.C.)

TEL: 886-4-2238-0698 FAX: 886-4-2238-0891

Web Site: <http://www.monicon.com.tw>

E-mail: sales@monicon.com.tw